

Before Installation

⚠ WARNING

Turn off all electronic source and electrical devices which will be connected to the thermostat before installation and maintenance.

⚠ CAUTION

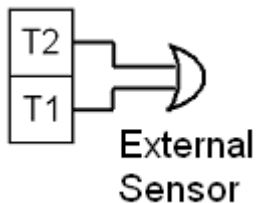
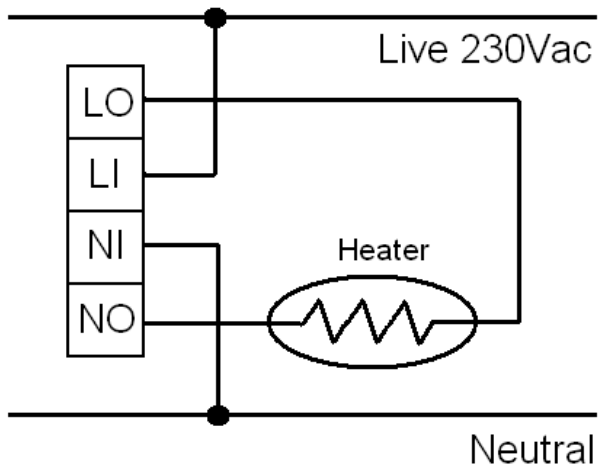
The installer must be a trained service personnel.

Wiring the terminals.

Connect 230Vac to "LI" and "NI".

Connect the heater to "LO" and "NO".

Connect the external temperature sensor to "T1" and "T2".

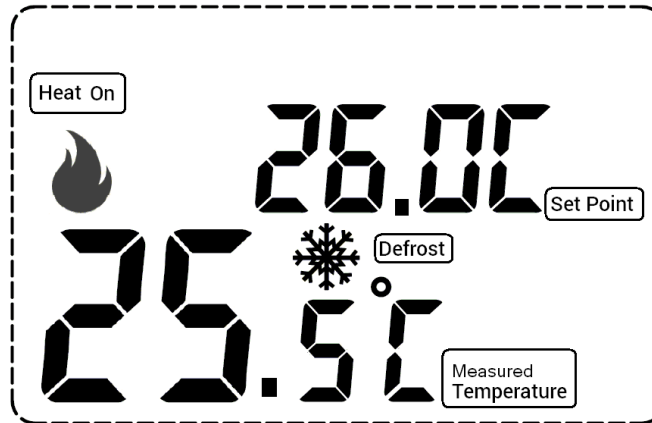


Temperature Control

- Measurable range: -16 - 80°C.
- Controllable range: 5 - 35°C.
- LCD display "LO" when temperature is below -16 °C.
- LCD display "HI" when temperature is above 80 °C.
- LCD display "--" and output will be off when sensor is open.
- ❄ Defrost icon will be on when temperature is below 5 °C.

Temperature measured every 10 seconds.

LCD Appearance



Adjust Set Point.

Press and hold <▲> or <▼> until the set point is flashing.

Release and press <▲> or <▼> again to increase or decrease the setpoint.

Relay Protection.

The time delay between Off and On of Heat output is 8 seconds.

EEPROM

The unit will store set point after the setting is done.

The memory will be retrieved when the unit is reset

Specification

Input Voltage:	230Vac +10 / - 15%
Sensing Element:	103AT
Temperature Accuracy:	+/- 0.5 °C
Span:	+/- 0.5 °C
Terminals:	2.5 sq. mm Cable
Electronic control:	Type 2.B action
Operating Temperature:	0 – 50 °C
Storage Temperature:	-5 ~ 50 °C
Operating Humidity:	5-95%RH
Output Rating	non-condensing 230Vac 50/60Hz, 16A